

Contents	Page
D-Sub adapter .....	<b>80.2</b>
Locking levers.....	<b>80.7</b>
Seals.....	<b>80.8</b>
Han® Hood Link .....	<b>80.10</b>
Panel feed through housings.....	<b>80.11</b>
Accessories for flat cable.....	<b>80.14</b>
Cable glands.....	<b>80.15</b>
Shielding frame.....	<b>80.20</b>
Grip frames.....	<b>80.22</b>
Coding of inserts in hoods/housings.....	<b>80.24</b>
Han® Docking frame .....	<b>80.27</b>
PE Multiple ground connection.....	<b>80.28</b>
Straight cable clamp fitting .....	<b>80.29</b>
Special insert fixing screws .....	<b>80.30</b>
Screws.....	<b>80.31</b>
Bearing pedestal and covers .....	<b>80.33</b>
Further accessories.....	<b>80.34</b>

Number of contacts

# 9,15,25,37



### Technical characteristics

Contacts	15, 25, 9, 37
Limiting temperatures	-40 °C ... 125 °C
Flammability (insert) acc. to UL 94	V 0
Mating cycles	≥500

### Technical characteristics

Material (accessories) plastic, metal

### Details

only for standard D-Sub, not for HD D-Sub

Identification	Size	Part number	Drawing Dimensions in mm
Adapter, for 1 x D-Sub, plastic  Range of delivery: 1 adapter, 4 fixing screws for adapter, 2 fixing screws for D-Sub connector	9 15 25	09 20 000 9932 09 20 000 9928 09 20 000 9929	<p>D-Sub 15 c= 33.3 mm D-Sub 25 c= 47 mm</p>
Adapter, for 1 x D-Sub, metal  Range of delivery: two-piece adapter, 2 fixing screws for adapter, 2 fixing screws for D-Sub connector size 25 in the Han 10 A size 37 in the Han 16 A	25 37	09 20 000 9925	<p>D-Sub 9</p>

Accessories

Number of contacts

# 25,37,50



## Technical characteristics

Contacts	50, 25, 37
Limiting temperatures	-40 °C ... 125 °C
Flammability (insert) acc. to UL 94	V 0
Mating cycles	≥500

## Technical characteristics

Material (accessories) plastic, metal

## Details

only for standard D-Sub, not for HD D-Sub

Identification	Size	Part number	Drawing Dimensions in mm
Adapter, for 1 x D-Sub Range of delivery: 1 adapter, 4 fixing screws for adapter, 2 fixing screws for D-Sub connector	50	09 20 000 9931	
Adapter, for 1 x D-Sub, metal Range of delivery: two-piece adapter, 2 fixing screws for adapter, 2 fixing screws for D-Sub connector size 25 in the Han 10 A size 37 in the Han 16 A	25 37	09 20 000 9925	

Number of contacts

# 9,15



## Technical characteristics

Contacts	9, 15
Limiting temperatures	-40 °C ... 125 °C
Flammability (insert) acc. to UL 94	V 0
Material (accessories)	plastic

## Details

only for standard D-Sub, not for HD D-Sub

Identification	Size	Part number	Drawing Dimensions in mm
Adapter, for 1 x D-Sub Range of delivery: 1 adapter, 4 fixing screws for adapter, 2 fixing screws for D-Sub connector	9 15	09 30 000 9965 09 30 000 9966	<p>                         ① Mounting in housing: character <b>A</b> visible                          ② Mounting in hood: character <b>T</b> visible                          D-Sub 9: a=44; b=51.5; c=25                          D-Sub 15: a=44; b=51.5; c=33.3                     </p>
Adapter, for 2 x D-Sub Range of delivery: 1 adapter, 4 fixing screws for adapter, 4 fixing screws for D-Sub connector	9 15	09 30 000 9970 09 30 000 9971	<p>                         ① Mounting in housing: character <b>A</b> visible                          ② Mounting in hood: character <b>T</b> visible                          D-Sub 2x 9: a=44; b=51.5; c=25                          D-Sub 2x 15: a=44; b=51.5; c=33.3                     </p>

Number of contacts

# 25



## Technical characteristics

Contacts	25
Limiting temperatures	-40 °C ... 125 °C
Flammability (insert) acc. to UL 94	V 0
Material (accessories)	plastic

## Details

only for standard D-Sub, not for HD D-Sub

Identification	Size	Part number	Drawing Dimensions in mm
Adapter, for 1 x D-Sub Range of delivery: 1 adapter, 4 fixing screws for adapter, 2 fixing screws for D-Sub connector	25	09 30 000 9967	<p>① Mounting in housing: character <b>A</b> visible                      ② Mounting in hood: character <b>T</b> visible                      D-Sub 25: a=57; b=64.5; c=47</p>
Adapter, for 2 x D-Sub Range of delivery: 1 adapter, 4 fixing screws for adapter, 4 fixing screws for D-Sub connector	25	09 30 000 9972	<p>① Mounting in housing: character <b>A</b> visible                      ② Mounting in hood: character <b>T</b> visible                      D-Sub 2x 25: a=57; b=64.5; c=47</p>



Number of contacts

# 37,50



## Technical characteristics

Contacts	37, 50
Limiting temperatures	-40 °C ... 125 °C
Flammability (insert) acc. to UL 94	V 0
Material (accessories)	plastic

## Details

only for standard D-Sub, not for HD D-Sub

Identification	Size	Part number	Drawing Dimensions in mm
Adapter, for 1 x D-Sub Range of delivery: 1 adapter, 4 fixing screws for adapter, 2 fixing screws for D-Sub connector	37 50	09 30 000 9968 09 30 000 9969	<p>① Mounting in housing: character <b>A</b> visible                      ② Mounting in hood: character <b>T</b> visible                      D-Sub 37: a=77.5; b=85; c=63.5                      D-Sub 50: a=77.5; b=85; c=61.1</p>
Adapter, for 2 x D-Sub Range of delivery: 1 adapter, 4 fixing screws for adapter, 4 fixing screws for D-Sub connector	37 50	09 30 000 9973 09 30 000 9974	<p>① Mounting in housing: character <b>A</b> visible                      ② Mounting in hood: character <b>T</b> visible                      D-Sub 2x 37: a=77.5; b=85; c=63.5                      D-Sub 2x 50: a=77.5; b=85; c=61.1</p>





Accessories

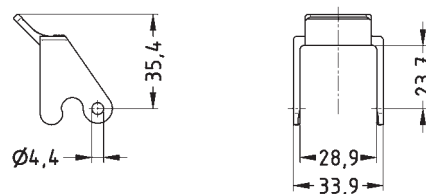
## Technical characteristics

Material (accessories) plastic, polycarbonate + stainless steel

## Technical characteristics

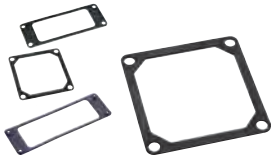
Colour (accessories) RAL 7032 (light grey), black, grey

Identification	Size	Part number	Drawing Dimensions in mm
Locking lever, double locking lever, light grey	3 A	09 00 000 5241	
			
Locking lever, double locking lever, black	3 A	09 00 000 5242	
Locking lever, single locking lever, Han® Q 8/0, black		09 00 000 5244	
			
Locking lever, single locking lever, black	10/16/24 B 6 B	09 00 000 5246 09 00 000 5401	
Han-Easy Lock®, Locking lever, single locking lever, grey	6 B 10 A 16 A 10 B 16 B 24 B	09 00 000 5222 09 00 000 5224 09 00 000 5225 09 00 000 5228 09 00 000 5229 09 00 000 5230	
			
Han-Easy Lock®, Locking lever, double locking lever, grey	10/16/24 B 32 A 32 B	09 00 000 5221 09 00 000 5223 09 00 000 5231	
			



## Technical characteristics




Material (accessories)      NBR, FPM

Identification	Size	Part number	Drawing Dimensions in mm
Flange gasket 	Modular Compact 3 A 10 A 16 A 32 A 3 HPR Han-Drive® 6 B 10 B 16 B 24 B 48 HPR	09 14 000 9940 09 20 000 9991 09 20 000 9992 09 20 000 9993 09 20 000 9994 09 40 000 9980 09 30 000 9903 09 30 000 9801 09 30 000 9802 09 30 000 9803 09 30 000 9804 09 30 000 9996	
Flange gasket, FPM	3 A 6 B 10 B 16 B 24 B	09 37 000 9912 09 37 000 9946 09 37 000 9947 09 37 000 9948 09 37 000 9949	



## Technical characteristics

Material (accessories)      NBR, FPM


Identification	Size	Part number	Drawing Dimensions in mm
Han® HPR, O-ring-seal  	3 HPR	09 40 000 9910	
	6 HPR	09 40 000 9911	
	10 HPR	09 40 000 9912	
	16 HPR	09 40 000 9913	
	24 HPR	09 40 000 9914	
L-seal, for cable to cable housings  	24 B	09 30 000 9933	
	16 B	09 30 000 9934	
	10 B	09 30 000 9935	
	6 B	09 30 000 9936	
Profile gasket  	10 A	09 20 000 9996	
	16 A	09 20 000 9997	
	6 B	09 30 000 9941	
	10 B	09 30 000 9942	
	16 B	09 30 000 9943	
	24 B	09 30 000 9944	
	32 B	09 30 000 9963	
	48 B	09 30 000 9995	
3 A	09 70 000 9991		
Profile gasket, FPM	3 A	09 21 000 9906	

## Features

- Cable to cable connection simple to realize and easy to mount
- Resistant elastomer
- Locking as well as seal combined in one system
- For two lever locking system

## Technical characteristics

Limiting temperatures -40 °C ... 85 °C  
 Degree of protection acc. to IEC 60529 IP65 in locked position  
 Colour (hoods/housings) black

Identification	Size	Part number	Drawing Dimensions in mm
Locking element, for hoods  	16 B	09 30 016 9901	

double locking lever


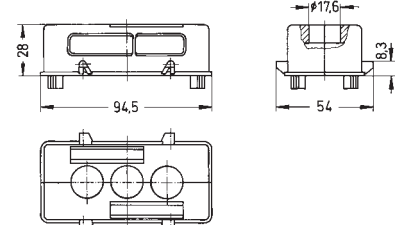
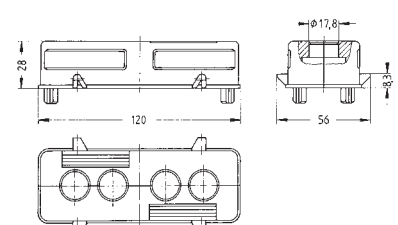


## Features

- Allows the entry of pre-assembled cables into a switch cabinet
- Use of identification strips is possible
- No special tools required
- Standard screw driver (5 x 1 mm) necessary to open split hood
- IP54 due to continuous contoured sealing

## Technical characteristics

Limiting temperatures	-40 °C ... 125 °C
Flammability (hoods/housings) acc. to UL 94	V 0
Locking cycles of bulkhead mounted housings	≥50
Locking cycles of split hood halves	≥10
Flammability (locking lever) acc. to UL 94	V 0
Protection class acc. to UL 50	NEMA type 4/4X/12
Degree of protection acc. to IEC 60529	IP54 when mounted vertically in the longitudinal direction, IP65
Material (hoods/housings)	polycarbonate
Material (locking lever)	polycarbonate + stainless steel
Colour (locking lever)	RAL 7037 (grey)

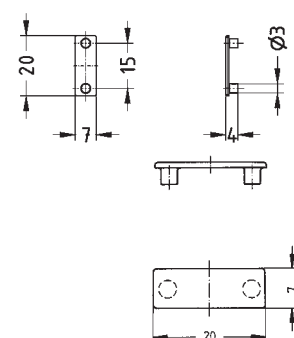
Identification	Cable entry	Part number	Drawing Dimensions in mm
<p>Panel feed through housings, Han-Easy Lock®</p> <p>Range of delivery: 2 split hood halves</p>  <p>Please order cable entry glands separately.</p>	<p>3</p> <p>4</p>	<p>09 30 016 0408</p> <p>09 30 024 0408</p>	 <p>09 30 016 0301 Han® 16 B Housings bulk-head mounting see chapter 31</p>  <p>09 30 024 0301 Han® 24 B Housings bulk-head mounting see chapter 31</p>

Identification	Cable entry	Part number	Drawing Dimensions in mm
----------------	-------------	-------------	-----------------------------

Identification strip  
Range of delivery:  
single



09 33 000 9981



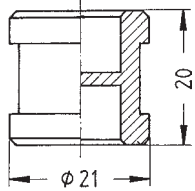
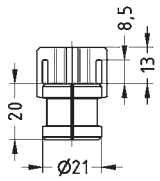

Accessories


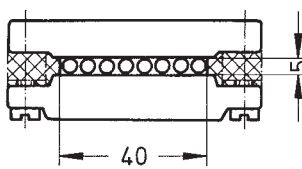

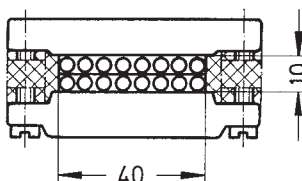

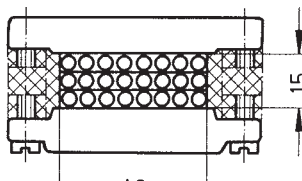

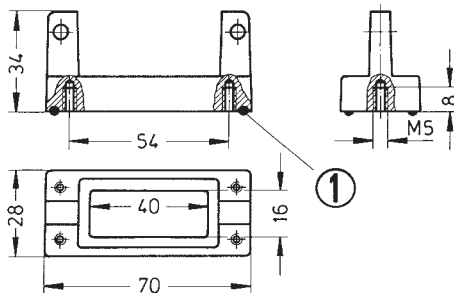
## Technical characteristics

Limiting temperatures -40 °C ... 125 °C

## Technical characteristics

Material (accessories) plastic, thermoplastic rubber  
 Colour (accessories) black

Identification	Clamping range (mm)	Part number	Drawing Dimensions in mm
Blind grommet		09 00 000 5350	
Cable entry gland, for ASI cable		09 00 000 5364	
Cable entry gland, additional strain relief can be provided by cable ties (max. width 8 mm)	10 ... 11 11 ... 12 12 ... 13 13 ... 14 14 ... 15 15 ... 16	09 00 000 5358 09 00 000 5359 09 00 000 5360 09 00 000 5361 09 00 000 5362 09 00 000 5363	
Cable entry gland	3 ... 4 4 ... 5 5 ... 6 6 ... 7 7 ... 8 8 ... 9 9 ... 10	09 00 000 5351 09 00 000 5352 09 00 000 5353 09 00 000 5354 09 00 000 5355 09 00 000 5356 09 00 000 5357	


Identification	Part number	Drawing Dimensions in mm
<p>Set of seals, with strain relief clamp, for 1 flat cable</p> 	09 00 000 5315	
<p>Set of seals, with strain relief clamp, for 2 flat cables</p> 	09 00 000 5316	
<p>Set of seals, with strain relief clamp, for 3 flat cables</p> 	09 00 000 5317	
<p>Bracket for flat cable, for separate mounting</p> 	09 00 000 5325	 <p>① O-Ring seal</p>

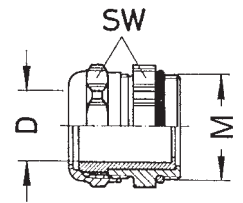
## Technical characteristics

Tightening torque	5 Nm
	4.5 Nm
	6.5 Nm
	10 Nm

## Technical characteristics

Degree of protection acc. to IEC	IP68
60529	
Colour (accessories)	RAL 7032 (light grey)
Material (screwing)	thermoplastic

Identification	Clamping range (mm)	Size	Part number	Drawing Dimensions in mm				
				Outer cable $\varnothing$	SW	E	Nm	
Cable gland 	5 ... 9	M20	19 00 000 5180	5 ... 9 mm	24	26.4	4.5	
	6 ... 12	M20	19 00 000 5182	6 ... 12 mm	24	26.4	4.5	
	10 ... 14	M20	19 00 000 5184	10 ... 14 mm	27	29.8	4.5	
	9 ... 16	M25	19 00 000 5190	9 ... 16 mm	33	33.5	5	
	13 ... 18	M25	19 00 000 5192	13 ... 18 mm	33	36.5	5	
	13 ... 20	M32	19 00 000 5194	13 ... 20 mm	42	46.8	6.5	
	18 ... 25	M32	19 00 000 5196	18 ... 25 mm	42	46.8	6.5	
	20 ... 26	M40	19 00 000 5197	20 ... 26 mm	53	58.8	10	
	22 ... 32	M40	19 00 000 5198	22 ... 32 mm	53	58.8	10	



## Technical characteristics

Tightening torque	10 Nm
	12 Nm
	15 Nm
	24 Nm

## Technical characteristics

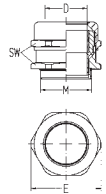
Degree of protection acc. to IEC IP68  
60529  
Material (screwing) metal

Identification	Clamping range (mm)	Size	Part number	Drawing Dimensions in mm
----------------	---------------------	------	-------------	--------------------------

Cable gland, metal



5 ... 9	M20	19 00 000 5080
5 ... 12	M20	19 00 000 5081
6 ... 12	M20	19 00 000 5082
10 ... 14	M20	19 00 000 5084
9 ... 16	M25	19 00 000 5090
9 ... 18	M25	19 00 000 5091
13 ... 18	M25	19 00 000 5092
13 ... 20	M32	19 00 000 5094
13 ... 25	M32	19 00 000 5095
18 ... 25	M32	19 00 000 5096
20 ... 26	M40	19 00 000 5097
22 ... 32	M40	19 00 000 5098
20 ... 32	M40	19 00 000 5099
32 ... 38	M50	19 00 000 5086



Outer cable Ø	SW	E	Nm
5 ... 9 mm	22	24.4	10
5 ... 12 mm	22	24.4	10
6 ... 12 mm	22	24.4	10
10 ... 14 mm	24	26.4	10
9 ... 16 mm	30	33.5	12
9 ... 18 mm	30	33.5	12
13 ... 18 mm	30	33.5	12
13 ... 20 mm	40	44	15
13 ... 25 mm	40	44	15
18 ... 25 mm	40	44	15
20 ... 26 mm	50	55	15
22 ... 32 mm	50	55	15
20 ... 32 mm	50	55	15
32 ... 38 mm	57	60	24





## Technical characteristics

Degree of protection acc. to IEC IP68  
60529

## Technical characteristics

Material (screwing) metal


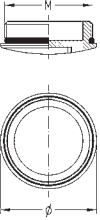

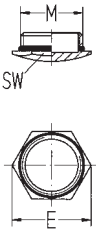


Identification	Clamping range (mm)	Size	Part number	Drawing Dimensions in mm																																												
EMC clamp	6.5 ... 9.5	M20	19 62 000 5080	<table border="1"> <thead> <tr> <th> cable-Ø D </th> <th> SW </th> <th> E </th> <th> shield-Ø B </th> </tr> </thead> <tbody> <tr> <td>6.5 ... 9.5</td> <td>22</td> <td>24.4</td> <td>3,5 ... 8,5</td> </tr> <tr> <td>4 ... 6.5</td> <td>22</td> <td>24.4</td> <td>2,5 ... 6,5</td> </tr> <tr> <td>7 ... 10.5</td> <td>22</td> <td>24.4</td> <td>6,5 ... 10,5</td> </tr> <tr> <td>9 ... 13</td> <td>22</td> <td>24.4</td> <td>6,5 ... 10,5</td> </tr> <tr> <td>6.5 ... 9.5</td> <td>22</td> <td>31.2</td> <td>3 ... 8</td> </tr> <tr> <td>9 ... 13</td> <td>28</td> <td>31.2</td> <td>4,8 ... 8</td> </tr> <tr> <td>11.5 ... 15.5</td> <td>35</td> <td>38.5</td> <td>8 ... 13,5</td> </tr> <tr> <td>14 ... 18</td> <td>35</td> <td>38.5</td> <td>9 ... 14,5</td> </tr> <tr> <td>17 ... 20.5</td> <td>43</td> <td>47.3</td> <td>15 ... 20</td> </tr> <tr> <td>20 ... 25</td> <td>43</td> <td>47.3</td> <td>15 ... 20</td> </tr> </tbody> </table>	cable-Ø D	SW	E	shield-Ø B	6.5 ... 9.5	22	24.4	3,5 ... 8,5	4 ... 6.5	22	24.4	2,5 ... 6,5	7 ... 10.5	22	24.4	6,5 ... 10,5	9 ... 13	22	24.4	6,5 ... 10,5	6.5 ... 9.5	22	31.2	3 ... 8	9 ... 13	28	31.2	4,8 ... 8	11.5 ... 15.5	35	38.5	8 ... 13,5	14 ... 18	35	38.5	9 ... 14,5	17 ... 20.5	43	47.3	15 ... 20	20 ... 25	43	47.3	15 ... 20
	cable-Ø D	SW	E		shield-Ø B																																											
	6.5 ... 9.5	22	24.4		3,5 ... 8,5																																											
	4 ... 6.5	22	24.4		2,5 ... 6,5																																											
	7 ... 10.5	22	24.4		6,5 ... 10,5																																											
	9 ... 13	22	24.4		6,5 ... 10,5																																											
	6.5 ... 9.5	22	31.2		3 ... 8																																											
	9 ... 13	28	31.2		4,8 ... 8																																											
	11.5 ... 15.5	35	38.5		8 ... 13,5																																											
	14 ... 18	35	38.5		9 ... 14,5																																											
	17 ... 20.5	43	47.3		15 ... 20																																											
	20 ... 25	43	47.3		15 ... 20																																											
	7 ... 10.5	M20	19 62 000 5082																																													
9 ... 13	M20	19 62 000 5084																																														
4 ... 6.5	M20	19 62 000 5081																																														
6.5 ... 9.5	M25	19 62 000 5090																																														
9 ... 13	M25	19 62 000 5092																																														
11.5 ... 15.5	M32	19 62 000 5094																																														
14 ... 18	M32	19 62 000 5096																																														
17 ... 20.5	M40	19 62 000 5097																																														
20 ... 25	M40	19 62 000 5098																																														

## Technical characteristics


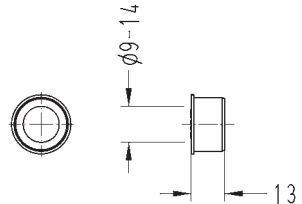

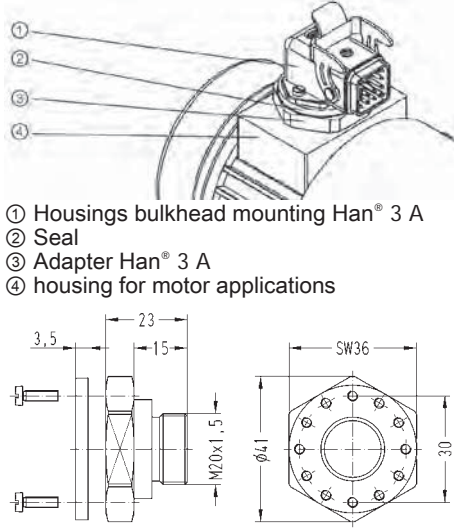
Limiting temperatures -40 °C ... 125 °C  
 Flammability (insert) acc. to UL 94 V 0

## Technical characteristics

Degree of protection acc. to IEC IP68  
 60529  
 Material (accessories) plastic  
 Colour (accessories) black  
 Material (screwing) thermoplastic, metal

Identification	Size	Reducers	Part number	Drawing Dimensions in mm
Blind grommet, plastic 	M32 M40		19 00 000 5172 19 00 000 5173	  M32: Ø 35 mm M40: Ø 46.2 mm
Blind grommet, metal 	M20 M25 M32 M40		19 00 000 5070 19 00 000 5071 19 00 000 5072 19 00 000 5073	  M20: SW 22; E 25.4 M25: SW 28; E 32.3 M32: SW 35; E 40.4 M40: SW 44; E 50.8
Reducer 	M20 M32 M32	M16 M20 M25	19 00 000 5060 19 00 000 5067 19 00 000 5068	
Reducer, with O-ring 	M32 M32	M20 M25	19 00 000 5066 19 00 000 5069	

Accessories

Identification	Size	Reducers	Part number	Drawing Dimensions in mm
Han-Eco®, Reduction sealing insert  	M32		19 41 000 5132	
Han A®, Adapter, for motor connection  	M20		19 20 000 9962	 <p>                         ① Housings bulkhead mounting Han® 3 A                          ② Seal                          ③ Adapter Han® 3 A                          ④ housing for motor applications                     </p>

## Technical characteristics

Material (accessories)      steel, zinc plated

Identification	Size	Part number	Drawing Dimensions in mm
Han-Modular®, PE terminal, for housings bulkhead mounting	24 B	09 00 000 5209	
Clamp, for shield frames		09 00 000 5341 09 00 000 5342	<p>Cable diameter 5 mm</p> <p>Cable diameter 10 mm</p>
Han E®, Han® EE, Han DD®, Han-Snap®, Shielding frame, for housings bulkhead mounting and hoods high construction Range of delivery: Ground terminal frame with M4 screws for fixing at insert	6 B 10 B 16 B	09 00 000 5206 09 00 000 5207 09 00 000 5208	

Accessories

# Shielding frame



Identification	Size	Part number	Drawing Dimensions in mm
Han E®, Han® EE, Han DD®, Han-Snap®, Shielding frame, for housings bulkhead mounting and hoods high construction, 24 B  Range of delivery: Ground terminal frame with M4 screws for fixing at insert	24 B 24 B	09 00 000 5210 09 00 000 5280	
Han-Modular®, Shielding frame, for housings bulkhead mounting	24 B 6 B 10 B 16 B	09 00 000 5211 09 00 000 5256 09 00 000 5257 09 00 000 5258	
Han-Modular®, Shielding frame, for housings bulkhead mounting and hoods high construction	24 B	09 00 000 5298	
Han-Quintax®, Shielding frame, for housings bulkhead mounting and hoods high construction	24 B	09 00 000 5235	

Accessories

## Features

- Grip frame suitable for Han® 64 D / Han® 108 DD / Han® 24 E / Han® 24 ES / Han® 24 ESS / Han® 46 EE
- Multiple shield connections via grip frame
- Cable can be fixed with clamps or cable tie

## Technical characteristics


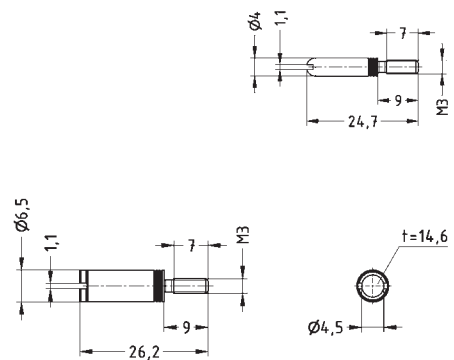

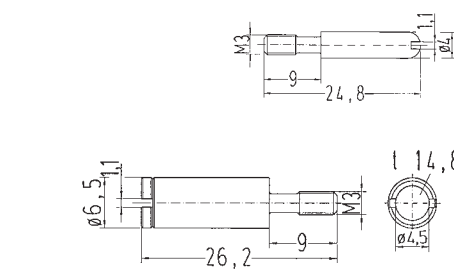

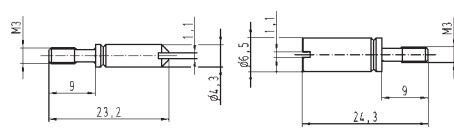
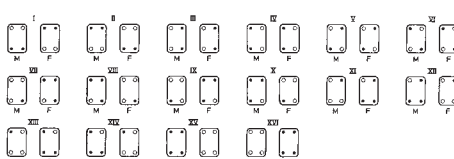
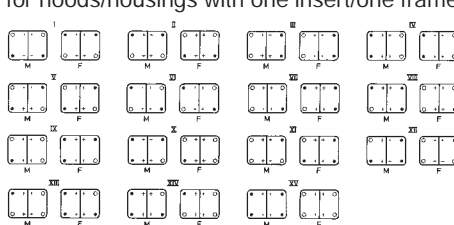
Material (accessories)      zinc die-cast

## Details

The grip frame can be used for termination of several shielded cables to be fixed on one connector.

Identification	Size	Part number	Drawing Dimensions in mm															
Screw adapter, bulkhead mounting		09 00 000 5603	<table border="1"> <thead> <tr> <th></th> <th>a</th> <th>b</th> </tr> </thead> <tbody> <tr> <td>6 B</td> <td>65</td> <td>52</td> </tr> <tr> <td>10 B</td> <td>78</td> <td>65</td> </tr> <tr> <td>16 B</td> <td>98,5</td> <td>85,5</td> </tr> <tr> <td>24 B</td> <td>125</td> <td>112</td> </tr> </tbody> </table>		a	b	6 B	65	52	10 B	78	65	16 B	98,5	85,5	24 B	125	112
	a	b																
6 B	65	52																
10 B	78	65																
16 B	98,5	85,5																
24 B	125	112																
Screw adapter, bulkhead mounting to use in connection 09 00 024 5611		09 00 000 5602	<table border="1"> <thead> <tr> <th></th> <th>a</th> <th>b</th> </tr> </thead> <tbody> <tr> <td>6 B</td> <td>44</td> <td>35</td> </tr> <tr> <td>10 B</td> <td>57</td> <td>48</td> </tr> <tr> <td>16 B</td> <td>77,5</td> <td>68,5</td> </tr> <tr> <td>24 B</td> <td>104</td> <td>95</td> </tr> </tbody> </table>		a	b	6 B	44	35	10 B	57	48	16 B	77,5	68,5	24 B	104	95
	a	b																
6 B	44	35																
10 B	57	48																
16 B	77,5	68,5																
24 B	104	95																

Identification	Size	Part number	Drawing Dimensions in mm
Grip frame, metal	16 B 24 B	09 00 016 5603 09 00 024 5601	
Grip frame, metal, with screw adapter and screw to use in connection with 09 00 000 5602	24 B	09 00 024 5611	

Identification	Part number		Drawing Dimensions in mm
	male	female	
<p>standard, Coding system with guide pins/bushes, for application "insert with screw adapter" with/ without grip frame</p>  <p>Please order 4 pieces for one connector</p>	09 33 000 9808	09 33 000 9809	
<p>standard, Coding system with guide pins/bushes, for application "insert in hood/housing"</p>  <p>Please order 4 pieces for one connector</p>	09 33 000 9908	09 33 000 9909	
<p>Han-Modular®, Coding system with guide pins/bushes, for application "insert in hood/housing"</p>  <p>Please order 4 pieces for one connector</p>	09 14 000 9908	09 14 000 9909	  <p>for hoods/housings with one insert/one frame</p>  <p>for hoods/housings with two inserts/two frames</p> <ul style="list-style-type: none"> <li>◆ Guide pin</li> <li>○ Bush</li> <li>+ Normal mounting screw</li> <li>M - Male insert</li> <li>F - Female insert</li> </ul>

Accessories



Identification

Part number

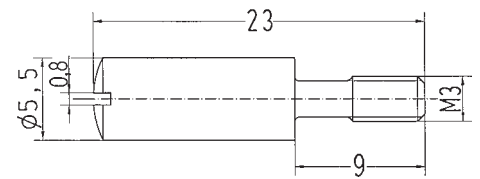
Drawing  
Dimensions in mm

standard,  
Coding system with code pins

09 30 000 9901



Please order 4 pieces for one connector

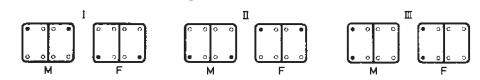
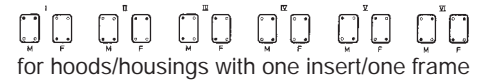
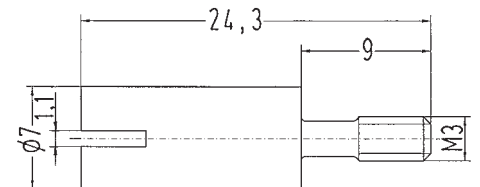


Han-Modular®,  
Coding system with code pins

09 14 000 9901



Please order 4 pieces for one connector



for hoods/housings with the inserts/two frames



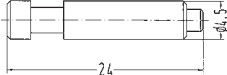
- ◆ Code pin
- + Normal mounting screw
- M - Male insert
- F - Female insert



## Details

### Coding pin

Use of the coding pin prevents incorrect mating to other connectors of the same type. The male pin should be omitted from the opposing cavity in the male insert.

Identification		Part number	Drawing Dimensions in mm
Han D <sup>®</sup> , Han DD <sup>®</sup> , Coding pin, plastic		09 33 000 9915	
only for crimp termination with loss of one contact			
Han E <sup>®</sup> , Han <sup>®</sup> EE, Han <sup>®</sup> EEE, Coding pin, plastic		09 33 000 9954	
for crimp inserts only			


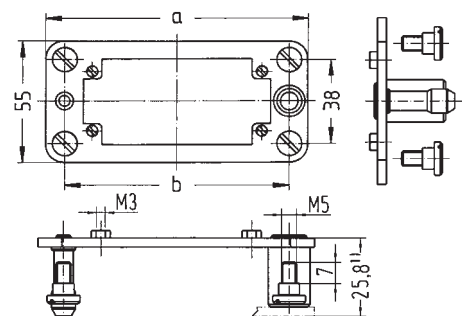
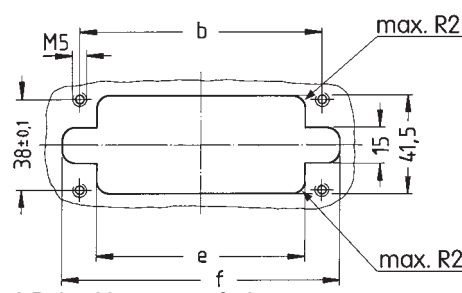


## Features

- Suitable for all inserts of the series Han E®, Han E® HMC, Han EE®, Han EE® HMC, Han EEE®, Han EEE® HMC, Han® ES, Han D® (size B), Han D® HMC, Han DD®, Han DD® HMC, Han-Com®, Han® HsB, Han-Modular®
- Ideal for applications in the field of transportation, as well as in the printing industry
- Due to the floating system of the docking frame the PE connection of the mounting base has to be installed separately
- Inserts are protected against mechanical damage

## Technical characteristics

Mating cycles	≥500
Mating cycles with HMC connectors	≥10000
Material (hoods/housings)	stainless steel
Material (screwing)	zinc die-cast

Identification	Size	Part number	Drawing Dimensions in mm
Docking frame Range of delivery: 1 frame, 4 cheese head shoulder screws to fix the docking frame   pull-in-range x-axis: ± 1.5 mm pull-in-range y-axis: ± 1.5 mm	6 B 10 B 16 B 24 B	09 30 006 1701 09 30 010 1701 09 30 016 1701 09 30 024 1701	 Distance for electrical and F.O. contacts max. 27 mm; for pneumatic contacts max. 26.5 mm 6 B: a=86; b=69 10 B: a=99; b=82 16 B: a= 119.5 ; b= 102.5 24 B: a=146; b=129   6 B: b= 69; e= 54.5; f= 84 10 B: b= 82; e= 67.5; f= 97 16 B: b= 102.5; e= 88; f= 117.5 24 B: b= 129; e= 114.5; f= 144

Accessories

Number of contacts

3+



## Features

- 3 PE-terminations
- Screws with ± head
- Self lifting washer
- Suitable for use with all inserts of the Han® 6 B to 24 B size (except Han® ESS-inserts)
- Suitable in hood high construction

## Technical characteristics

Contacts 3  
Material (contact) copper alloy

## Details

### Application

The PE-multiple ground connection may be used to terminate three PE-wires on one connector. Each PE-wire can be terminated and removed separately (acc. VDE 0113 DIN EN 60204 Pt. 14.1.1).

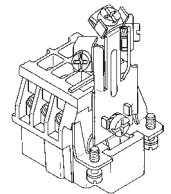
## Identification

PE Multiple ground connection, nickel plated contacts,  
Range of delivery:  
Multiple ground connection,  
Fixing screw M4 with washer  
contact resistance ≤3 mOhm

## Part number

09 33 000 9992


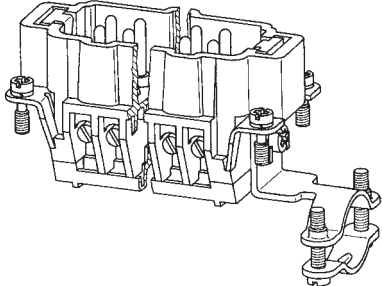

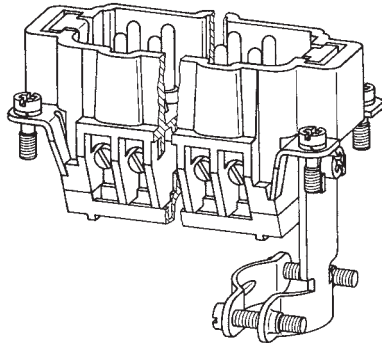
## Drawing Dimensions in mm



## Details

### Straight cable clamp fitting

When using inserts without hoods or housings and requiring a strain relief this system is suitable for all rectangular connectors of series Han DD<sup>®</sup>, Han<sup>®</sup> 40-64 D, Han E<sup>®</sup> / Han<sup>®</sup> ES, Han Hv E<sup>®</sup> / Han<sup>®</sup> Hv ES, Han<sup>®</sup> EE, Han<sup>®</sup> K 8/24. Fitted at the opposite end to the PE-termination.

Identification	Part number	Drawing Dimensions in mm
<p>Straight cable clamp fitting, angled</p> <p>Range of delivery: Cable clamp fitting with 2 screws M3, Fixing screw M4 with washer</p> 	<p>09 00 000 5339</p>	 <p>Clamping range of strain relief clamp: 9...19 mm</p>
<p>Straight cable clamp fitting, straight</p> <p>Range of delivery: Cable clamp fitting with 2 screws M3, Fixing screw M4 with washer</p> 	<p>09 00 000 5340</p>	

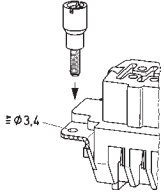
## Features

- Useable for inserts without hoods or housings and requiring a strain relief
- Suitable for all rectangular connectors of the Han® series Han® 6 B, 10 B, 16 B, 24 B

## Details

### Bush/Screw pin

When using inserts without hoods or housings and requiring a locking facility this system is suitable for all rectangular connectors of the Han® series Han® 6 B, 10 B, 16 B, 24 B. For each connector we recommend two screw pins and two bushes as shown which are fitted diagonally to the inserts instead of the ordinary fixing screws. Holes for fixing to be drilled as shown.

Identification	Part number	Drawing Dimensions in mm
Bush  Order 2 pieces for one connector.	09 33 000 9912	
Screw pin  Order 2 pieces for one connector.		09 33 000 9910

Identification	Size	Part number	Drawing Dimensions in mm
Toggle locking screw, for Han® 6/10/16/24 HPR  		09 40 000 9931	
Toggle locking screw, 3 HPR  		09 40 000 9933	
standard, Fixing screws  	M3	09 16 000 9903	
Fixing screws, for the Han® 3 A  	M3	09 20 000 9995	
Fixing screws, IP65 / IP67, for the Han® 3 A  	M3	09 20 000 9918	
Han-Compact®, Fixing screws  	ST 2.9x9.5 F-H	09 12 000 9921	
Contact screw, for Han® 3 A, 4 A, Staf®, for PE in Han® Q 5/0, Q 7/0  	M3	09 30 000 9997	

Identification	Size	Part number	Drawing Dimensions in mm
PE screw, for Han A®, Han® 15, 25 D  	M3.5	09 20 000 9919	
PE screw, for inserts size 6 B - 24 B  	M4	09 33 000 9925	
PE screw, for Han-Com®, Han® HsB  	M5	09 33 000 9926	
PE screw, for Han-Modular® hinged frames  	M3 M4	09 14 000 9953 09 14 000 9954	
Countersunk flat  		09 70 000 9902	
Countersunk flat, with gasket  		09 70 000 9905	
Locking screw, 3 HPR  	M4	09 40 000 9929	
Locking screw, for Han® 6/10/16/24 HPR  	M6	09 40 000 9932	
Locking screw, 48 HPR  	M6	09 40 000 9937	

Accessories






single locking lever

## Technical characteristics

Limiting temperatures -40 °C ... 125 °C  
 Degree of protection acc. to IEC IP65  
 60529


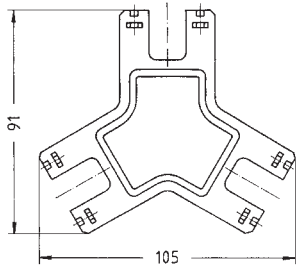

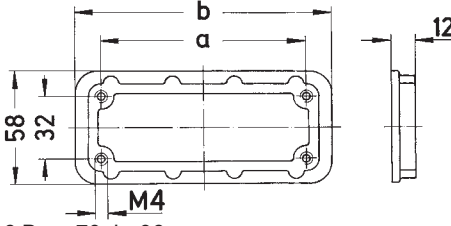


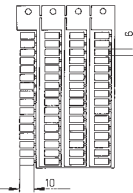
## Technical characteristics

Surface (hoods/housings) powder-coated  
 Colour (hoods/housings) RAL 7037 (grey)

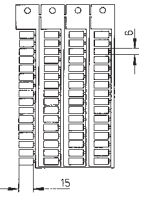
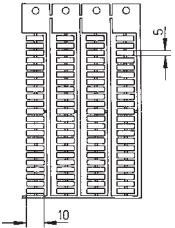
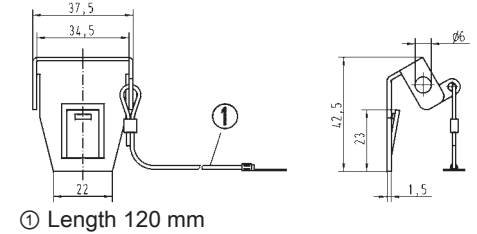
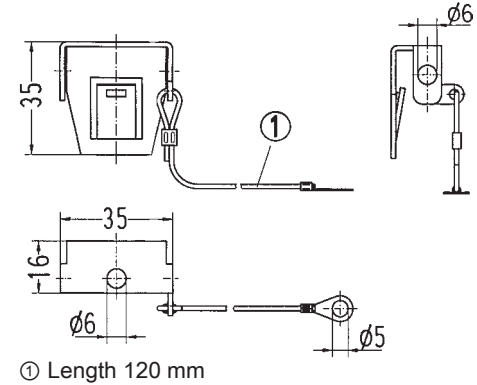
Identification	Size	Part number	Drawing Dimensions in mm
Han® B, Protection cover for bearing pedestal, plastic 	6 B 10 B 16 B 24 B	09 30 006 5410 09 30 010 5410 09 30 016 5410 09 30 024 5410	
Han® B, Protection cover for bearing pedestal, metal 	6 B 10 B 16 B 24 B	09 30 006 5403 09 30 010 5404 09 30 016 5404 09 30 024 5404	
Bearing pedestal  for Han® 10 A, 16 A, 32 A, 6 B, 10 B, 16 B, 24 B		09 30 000 9964	

## Technical characteristics

Material (accessories) plastic, metal

Identification	Size	Part number	Drawing Dimensions in mm
<p>Frame, for custom test adapters</p> <p>Range of delivery: 2 assembly plates, 12 nuts for insertion</p> 		09 38 000 9901	
<p>Mounting frames, for standard hoods/housings</p> 	<p>6 B 10 B 16 B 24 B</p>	<p>09 40 000 9921 09 40 000 9922 09 40 000 9923 09 40 000 9924</p>	 <p>6 B: a=70; b=96 10 B: a=83; b=109 16 B: a=103; b=129 24 B: a=130; b=156</p>
<p>Contact lubricant DvDA, for Han® contacts, Applicable onto Han contacts to reduce mating and unmating forces., Content: Preparation of perfluoropolyethers</p> <p>Range of delivery: vaporizer (40 ml), handling instruction</p> 		09 99 000 0829	
<p>Han E® AV, Identification strip, Multi-Contour (MK)</p> <p>Range of delivery: 64 pieces in one block</p> 		09 33 000 9971	

Accessories

Identification	Size	Part number	Drawing Dimensions in mm
<p>Han® ES AV, Identification strip, Single-Contour (SK) Range of delivery: 64 pieces in one block</p>		09 33 000 9973	
<p>Label, according to CSA-approval Range of delivery: 50 labels per sheet</p>		09 30 000 9958	
<p>Locking element with cord, for Han® 10/16/24 B with double metal levers</p>		09 30 000 9987	 <p>① Length 120 mm</p>
<p>Locking element with cord, for Han® 10/16/24 B housings bulkhead mounting with Han-Easy Lock® double levers</p>		09 30 000 9986	 <p>① Length 120 mm</p>